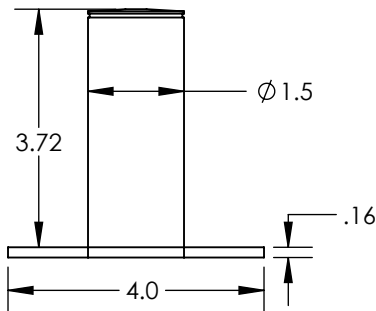


Item Number	Description	Qty. in Kit
1	Screw, 1/4-20 X 1" Thrd Forming	2
2	Base Plate	1
3	Standoff, 4" and 7" Options	1
4	Washer, EPDM Backed 1.5 Dia	1
5	Washer, Flat 5/16 SS	1
6	Washer, Lock 5/16 Split Lock SS	1
7	Screw, 5/16-18 X 1" Thread Forming	1

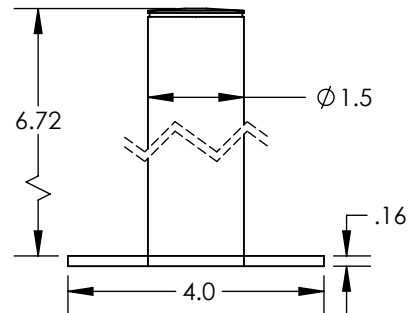
Flush Mount Standoffs

Part Number	Description
51-6004-500L	Kit, Standoff 4", Flush Mount
51-6007-500L	Kit, Standoff 7", Flush Mount

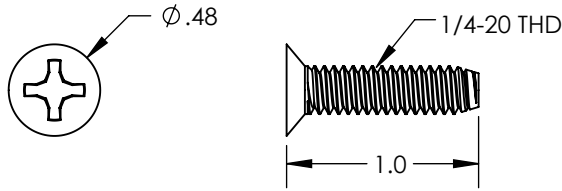
Assembled 4" Standoff



Assembled 7" Standoff

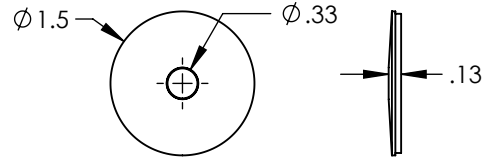


1) Screw, 1/4-20 X 1" Thrd Forming



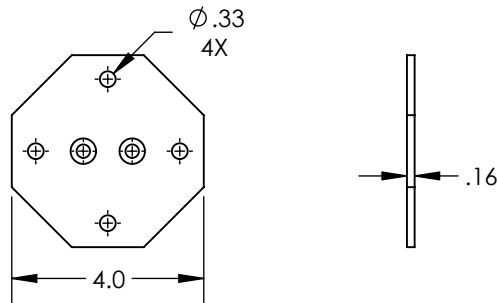
Property	Value
Material	300 Series Stainless Steel
Finish	Clear

4) Washer, EPDM Backed 1.5 Dia



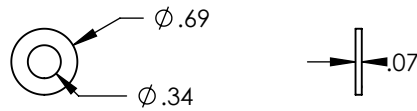
Property	Value
Material	300 Series Stainless Steel
Finish	Clear

2) Base Plate



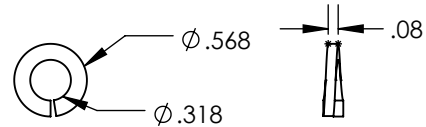
Property	Value
Material	6000 Series Aluminum
Finish	Mill

5) Washer, Flat 5/16 SS



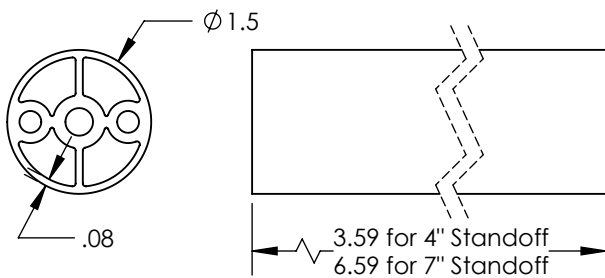
Property	Value
Material	300 Series Stainless Steel
Finish	Clear

6) Washer, Lock 5/16 Split Lock SS



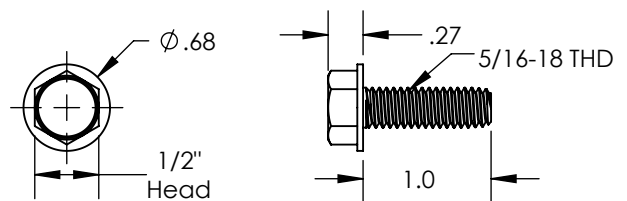
Property	Value
Material	300 Series Stainless Steel
Finish	Clear

3) Standoff, 4" and 7" Options



Property	Value
Material	6000 Series Aluminum
Finish	Mill

7) Screw, 5/16-18 X 1" Thread Forming



Property	Value
Material	300 Series Stainless Steel
Finish	Clear